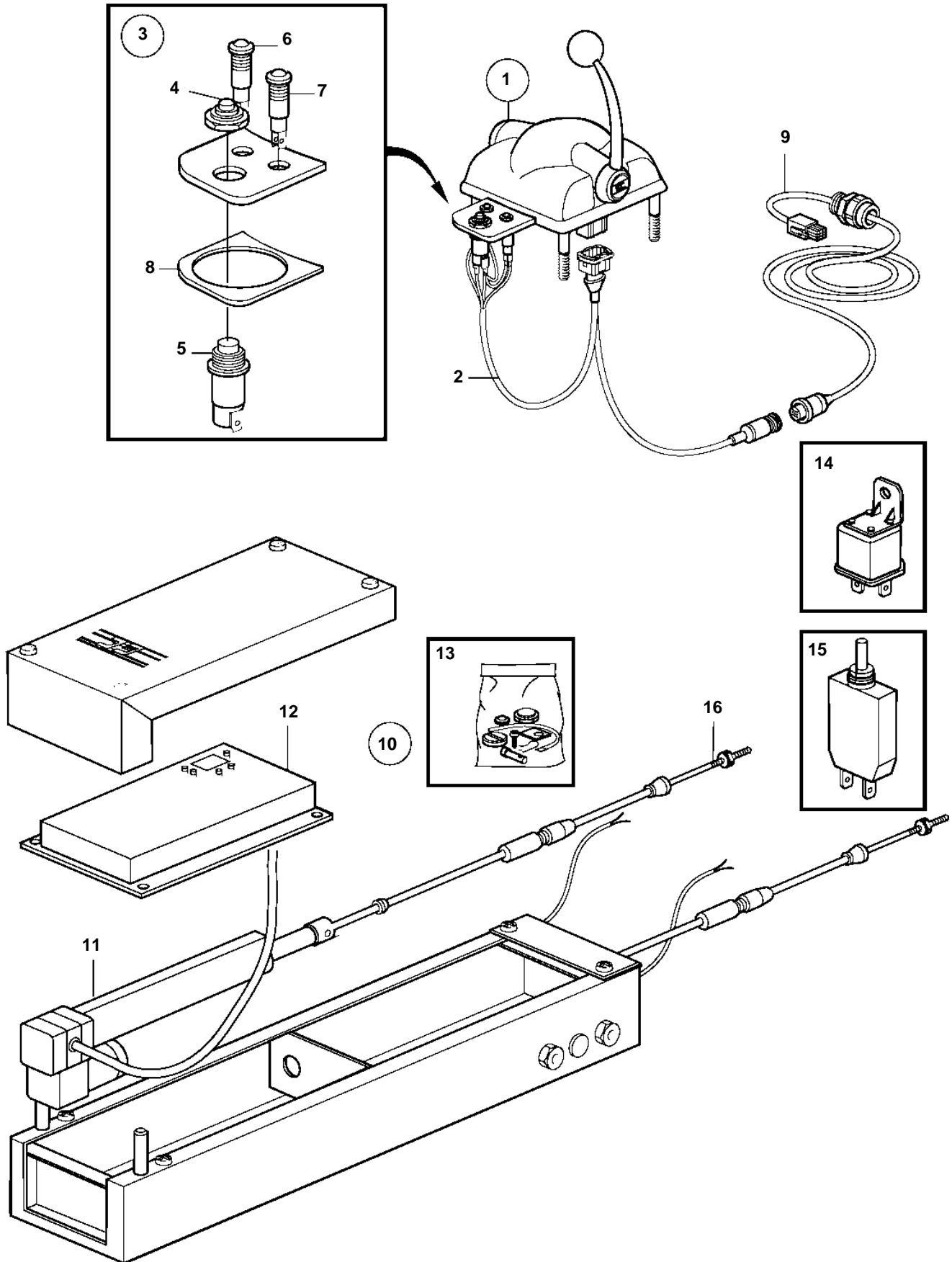


KAD32P-A, KAMD43P-A, KAD43P-A



KAD32P-A, KAMD43P-A, KAD43P-A

REF	PART NO.	QTY	DESCRIPTION	SEE SEC.	NOTES
1	3861025	3	Engine speed control	5094	REPL BY 874734. For single station.
1	3861025	3	Engine speed control	5094	REPL BY 874734. For three steering positions.
1	874734	3	Control		For three steering positions.
2	3860490	3	Cable harness		For three steering positions.
3	3860491	3	Panel		For three steering positions.
4	828586	3	· Nut		For three steering positions.
5	828718	3	· Switch		For three steering positions.
6	3860539	3	· Lamp		For three steering positions.
7	3860540	3	· Lamp		For three steering positions.
8	3860541	3	· Gasket		For three steering positions.
9	3860494	X	Cable harness		L=5m
	3860495	X	Cable harness		L=10m
	3860496	X	Cable harness		L=15m
	3860497	X	Cable harness		L=20m
	3860498	X	Cable harness		L=25m
10	3860487	1	Control system		For three steering positions.
11	3860533	2	· Actuator		For three steering positions.
12	3860534	1	· Unit		For three steering positions.
13	3860535	1	· Small parts kit		For three steering positions.
14	841177	1	Relay		For three steering positions.
15	966689	1	Fuse		For three steering positions.
16		X	Control cable	231	